

# Pressure valves

shut-off valve with test connection

brass or stainless steel

E 09.01.02

Ed.12.01

## Shut-off valve with test connection

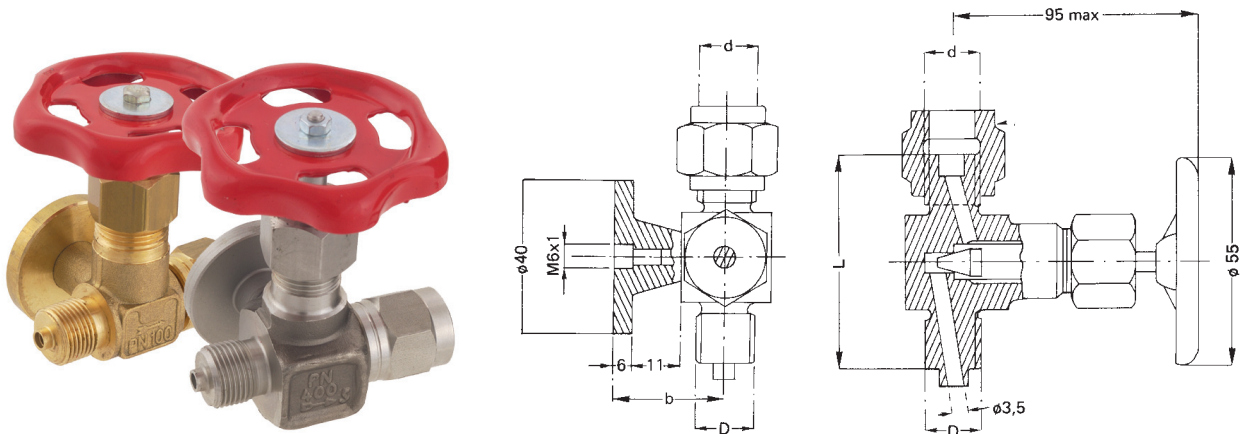
Inlet with fixed male tread with spigot

Outlet with union connection (LH/RH) for pressure gauge

Test connection for test gauge valve

Sealing washer of graphite and wheel of pressed steel

Valve body and connection of brass SIS 5170 or stainless steel SS 2348



Type	Material	PN	DN	D	d	L	b	Code
441 MK	brass	100	8	G1/4"	G1/4"	54	31	44150001
441 MK	brass	100	10	G3/8"	G3/8"	54	31	44150002
441 MK	brass	100	15	G1/2"	G1/2"	64	34	44150003
441 SK	SS 2348	400	10	G3/8"	G3/8"	54	31	44150202
441 SK	SS 2348	400	15	G1/2"	G1/2"	64	34	44150203

### Degreased for oxygen services

Type	Material	PN	DN	D	d	L	b	Code
441 SK	SS 2348	400	10	G3/8"	G3/8"	54	31	44150212
441 SK	SS 2348	400	15	G1/2"	G1/2"	64	34	44150213

### Pressure rate and temperature

Brass - pressure rate PN 100		
Pressure	16 bar	100 bar
Temp	110°C	20°C

Stainless steel SS2348 - pressure rate PN 400				
Pressure	20 bar	125 bar	160 bar	400 bar
Temp	300°C	200°C	125°C	20°C